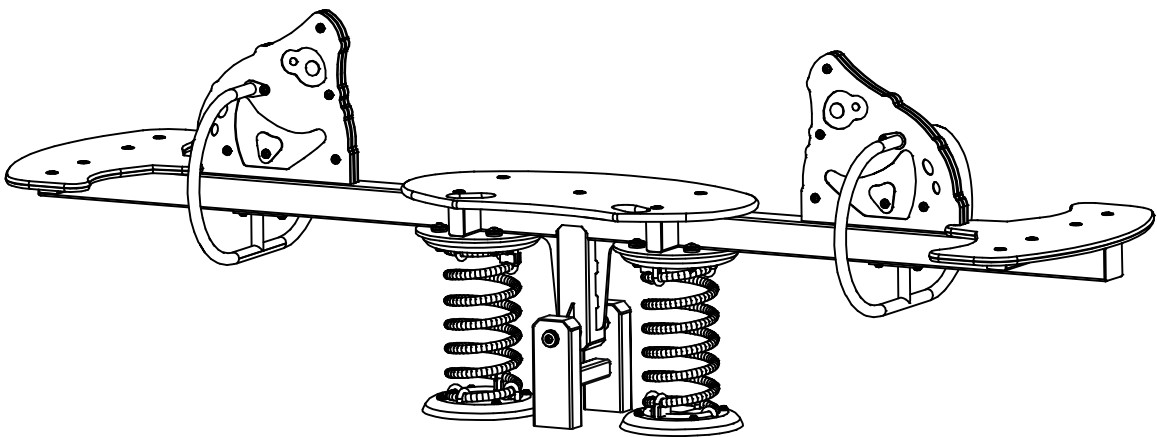
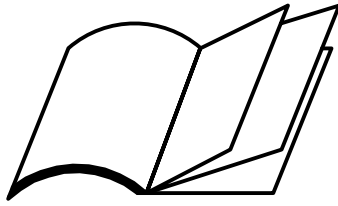


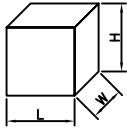
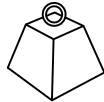

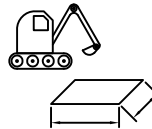
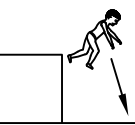

HAGS

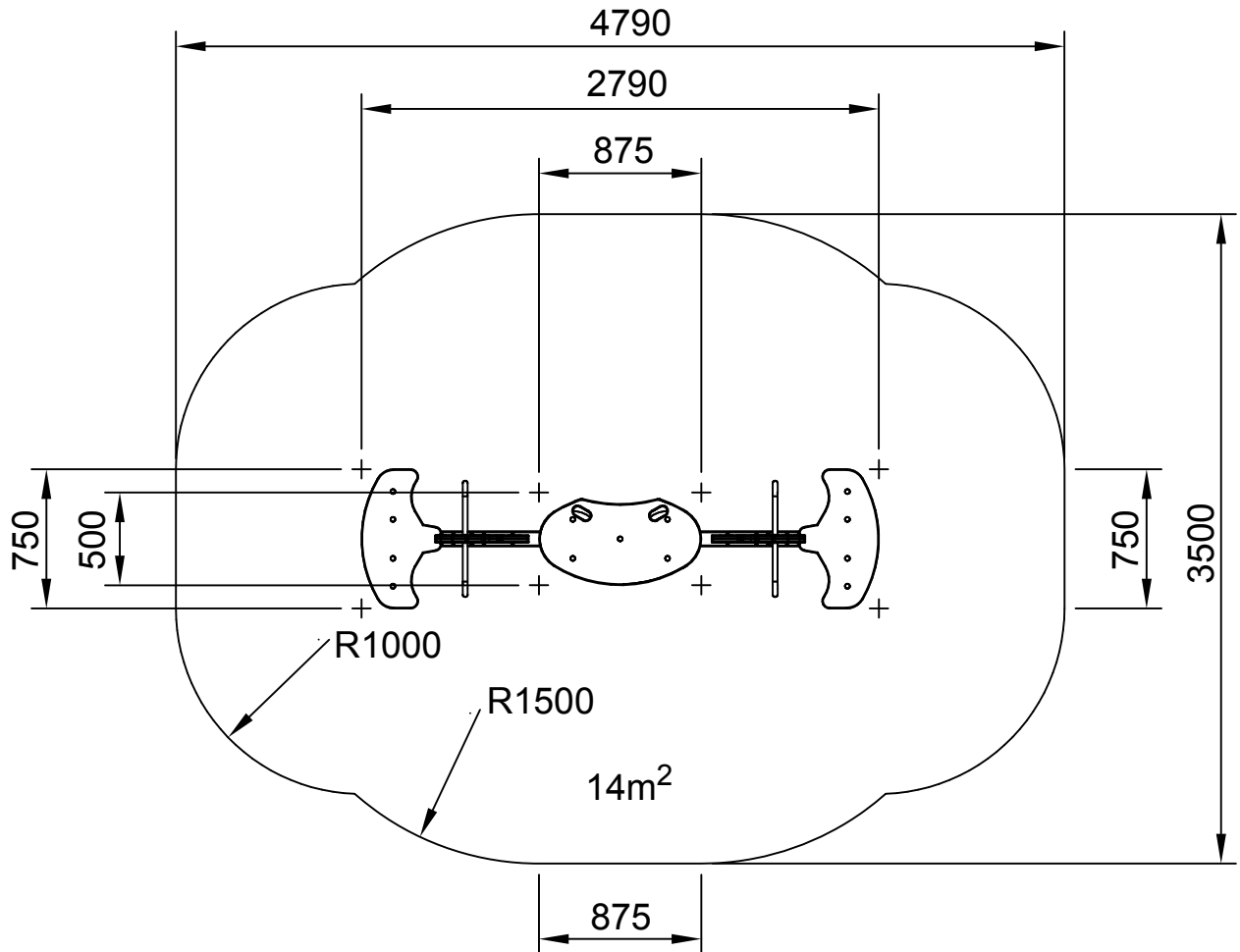
SPZGS & SPZGSD

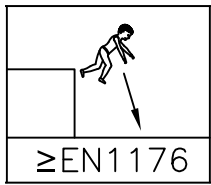
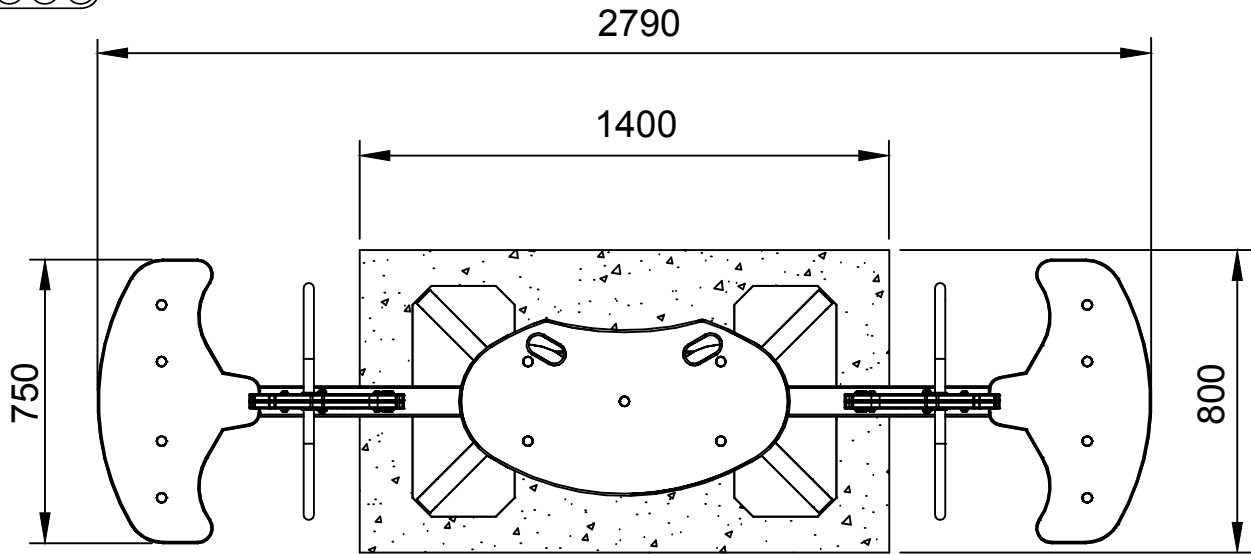
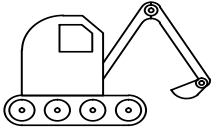
ZINGO SEESAW



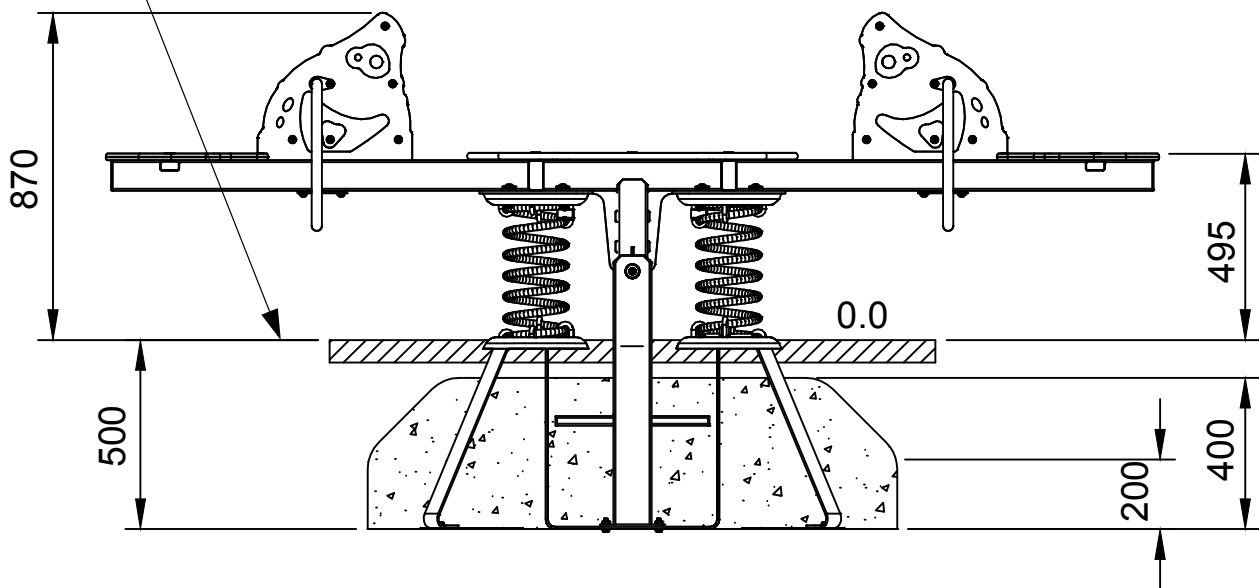


	 LxWxH (m)	 kg	 m ³	 m	 ≥EN1176	 x 2=T
TYPE 2	2.79 x 0.75 x 0.77	138.00	0.45	5.00 x 4.00	0.7m	T=5h
TYPE 3	2.79 x 0.75 x 0.87				0.8m	



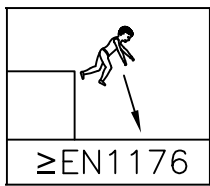
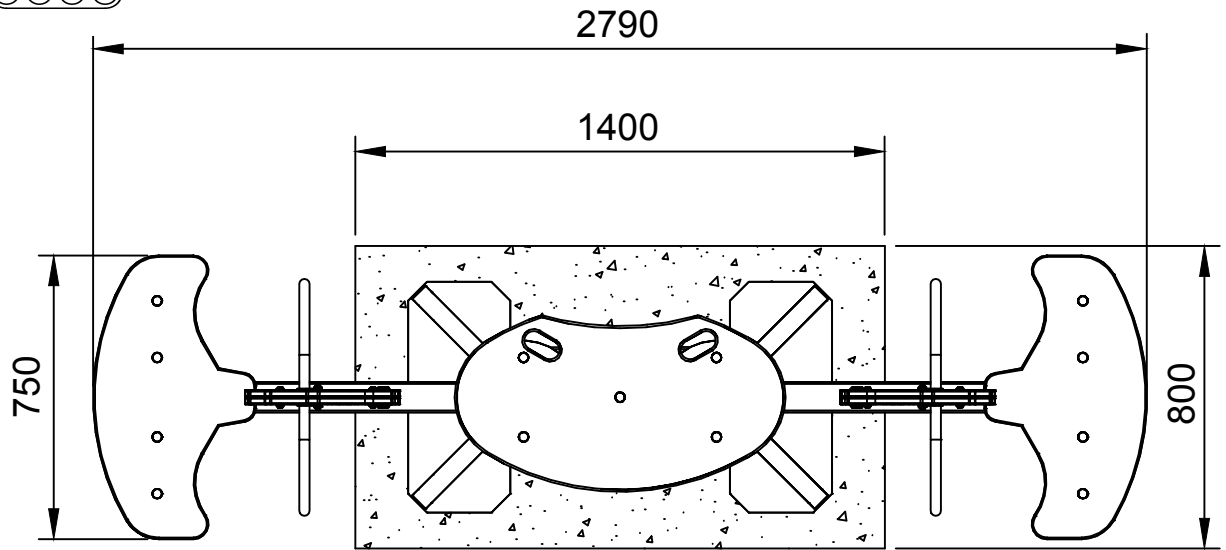
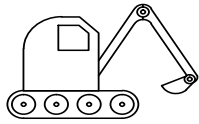


0.8m

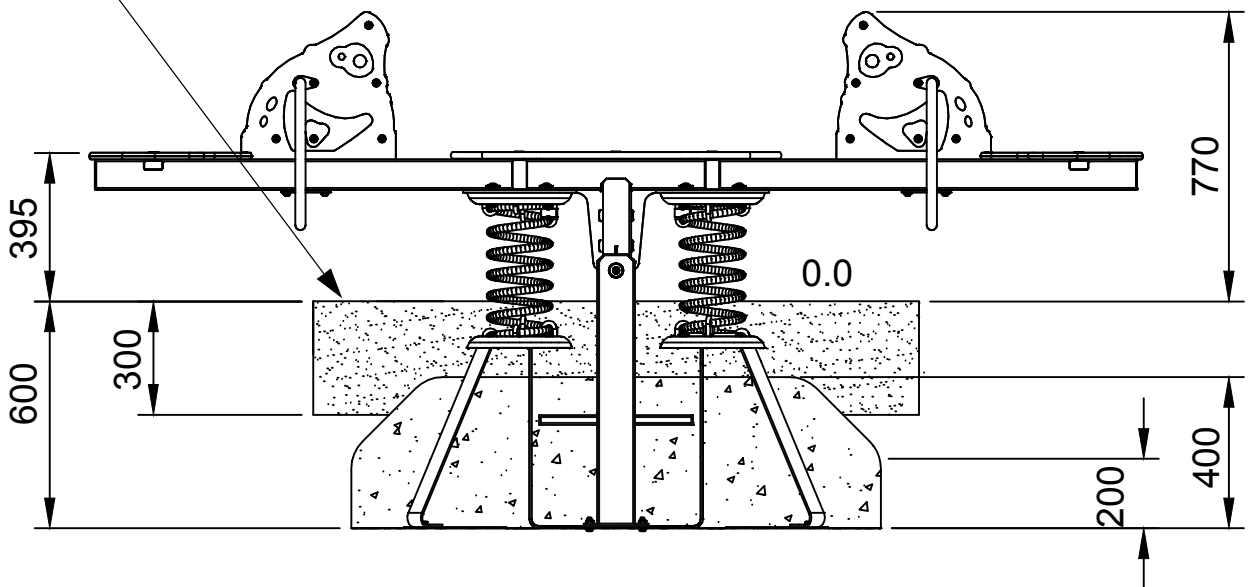


TYPE 3

	144
	101

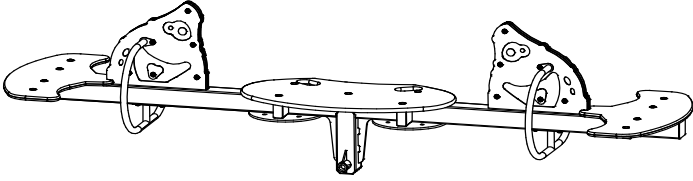
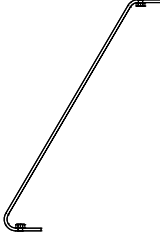
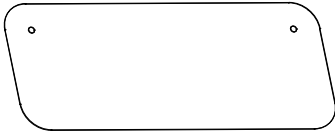
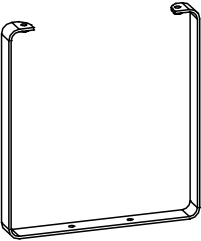
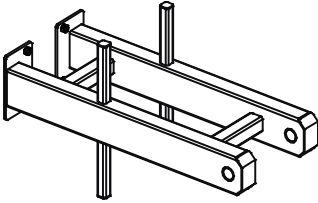
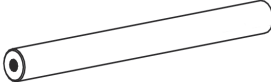
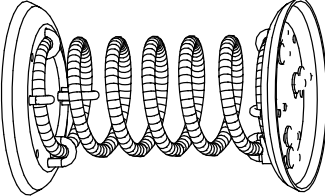
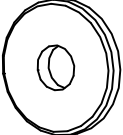


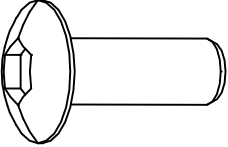
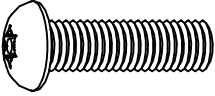
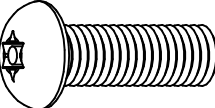
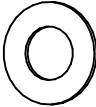
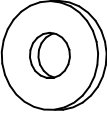
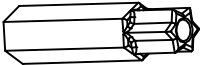
0.7m



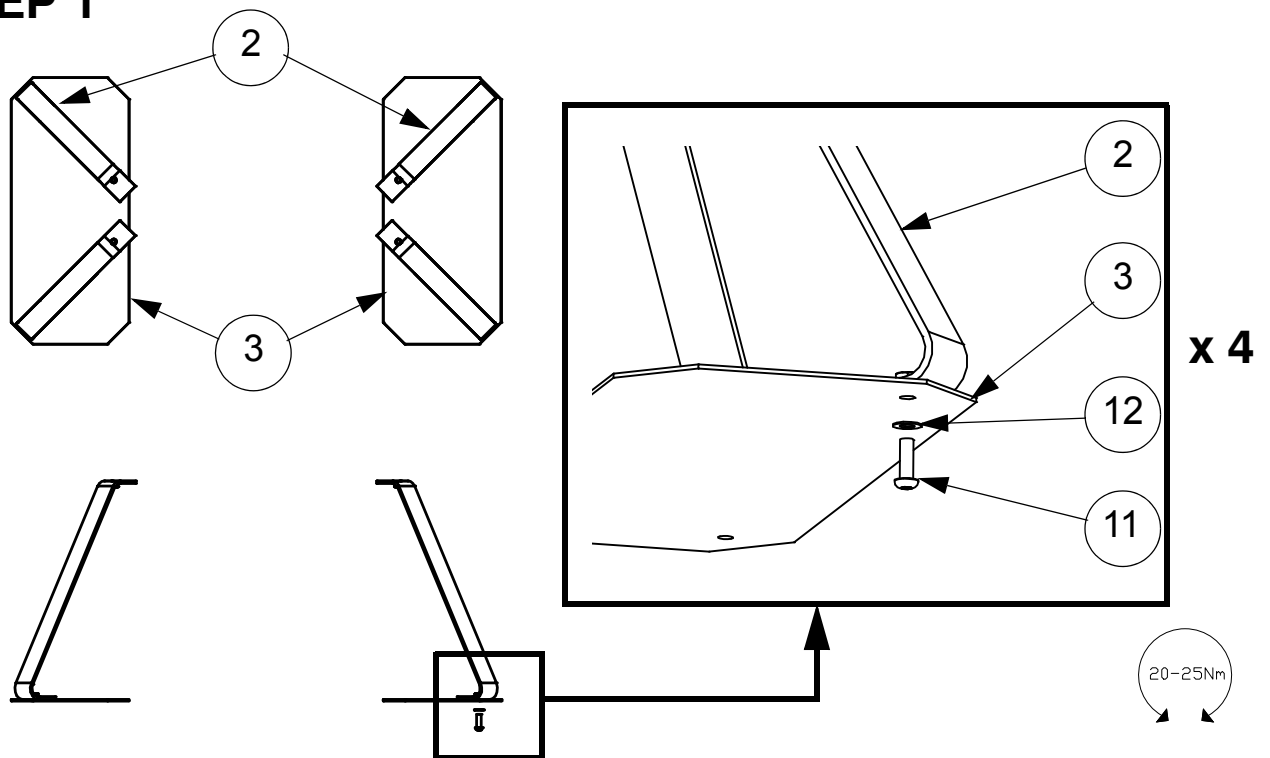
TYPE 2		144
		101

1 PARTS LIST

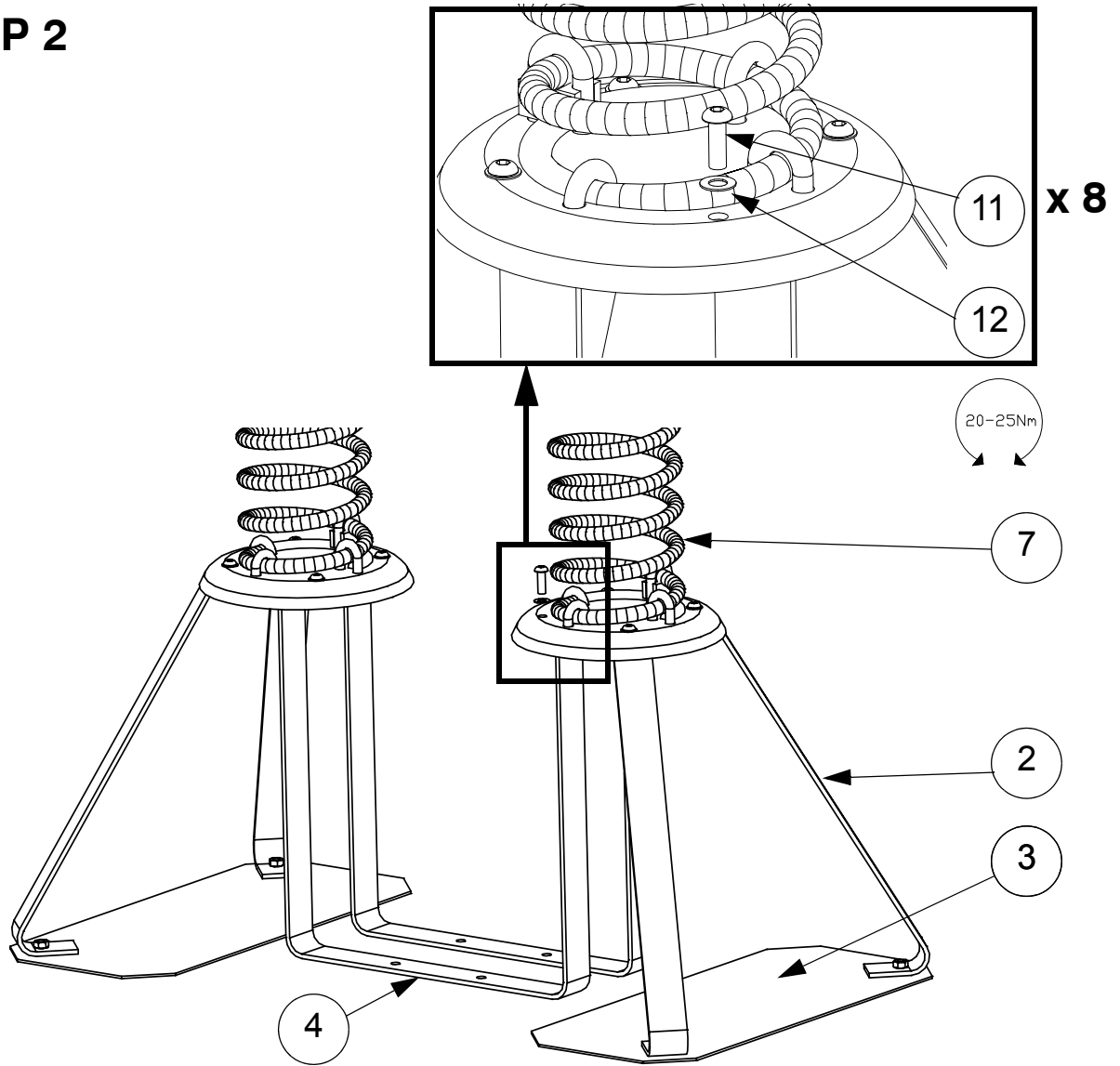
ITEM	REF		QTY.	kg.
1	86312002		1	77.00
2	86009002		4	1.750
3	86009001		2	2.000
4	86030003		2	4.000
5	86401005		1	14.00
6	86404017		1	1.15
7	56029999		2	12.5
8	86030007		2	0.005

ITEM	REF		QTY.	kg.
9	88020902		8	0.048
10	10121035	 M10 X 35	8	0.032
11	10121030	 M10 X 30	18	0.028
12	10291000	 M10 11X21X1	24	0.002
13	10291400	 M14 15X36X6	16	0.034
14	10121000	 T45 M10	2	

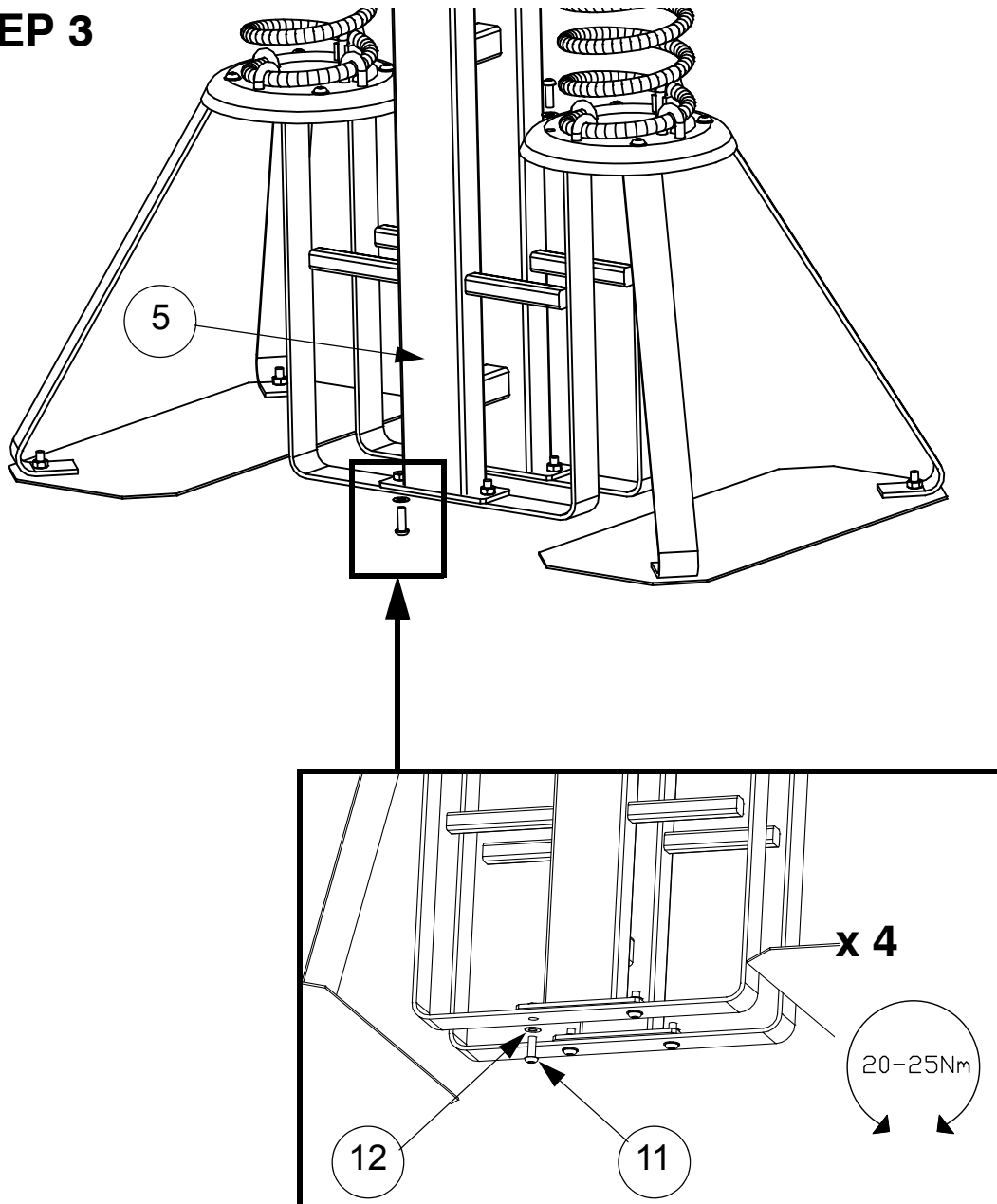
STEP 1



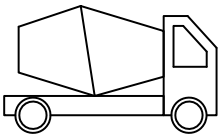


STEP 2



STEP 3



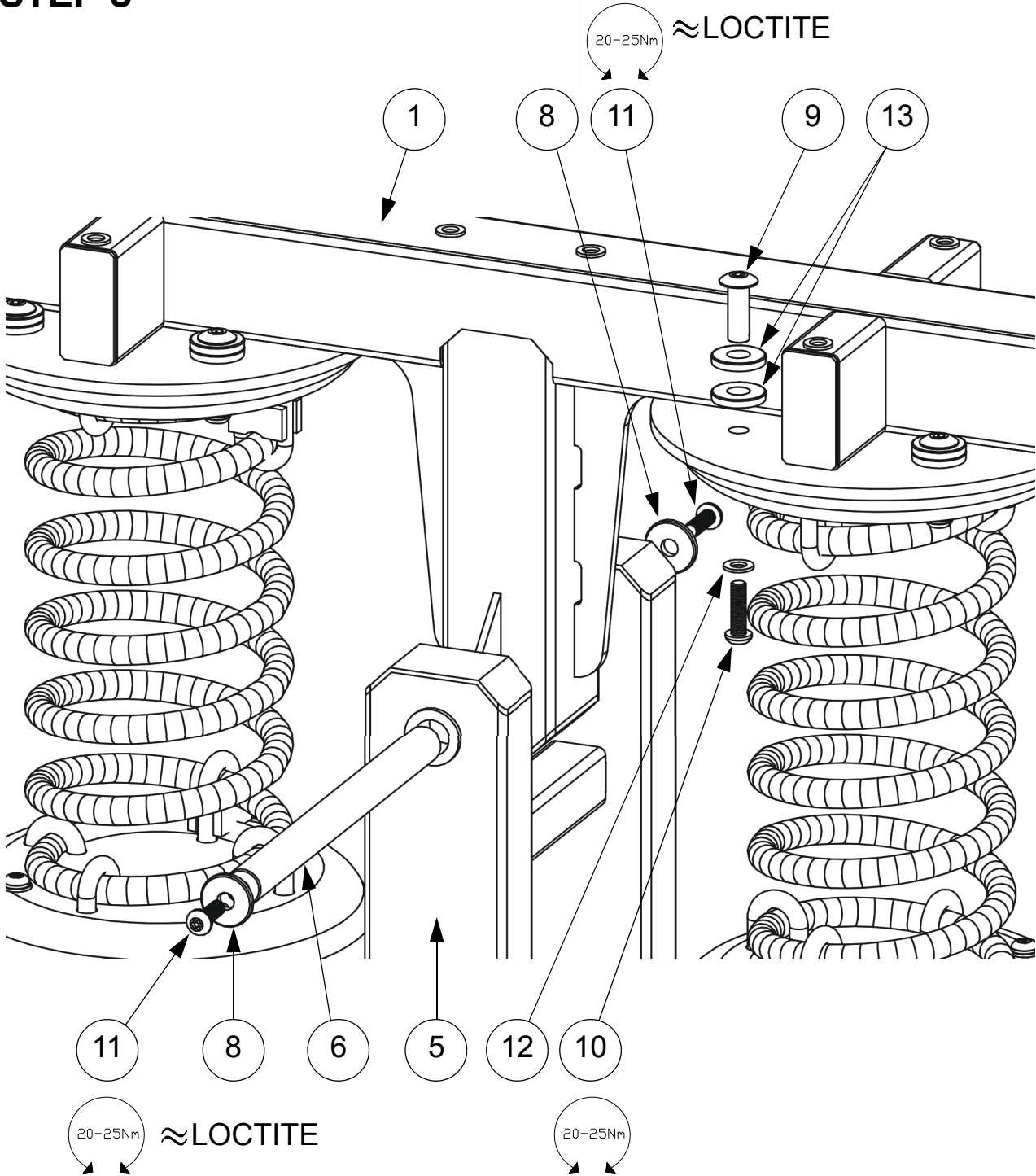
STEP 4

	
S2 (50mm)	
≥C20-25	
	7 x 24h
	101



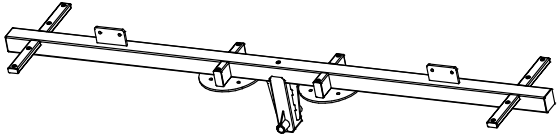
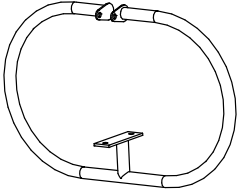
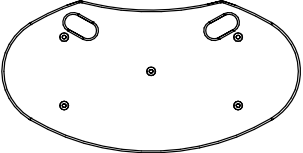
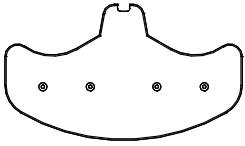
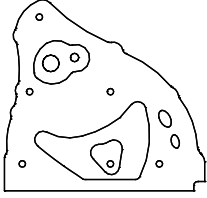
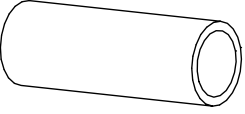
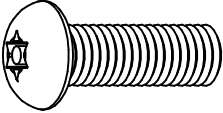
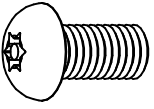
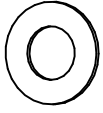
4&5

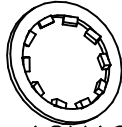

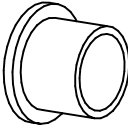
STEP 5



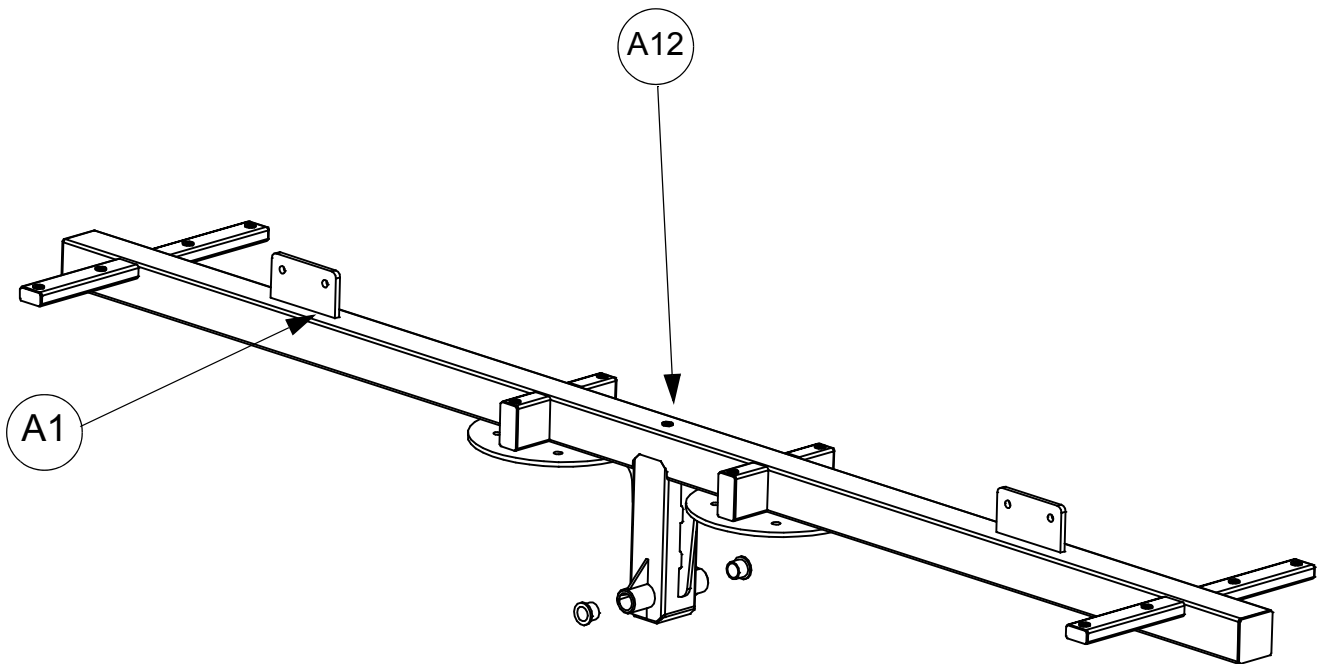
Appendix A:

REF 86312002

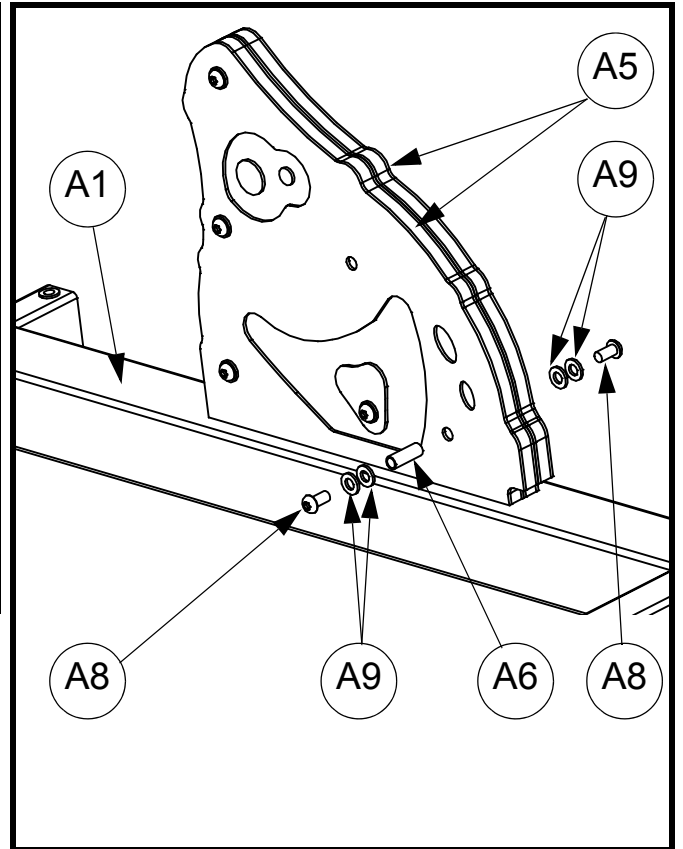
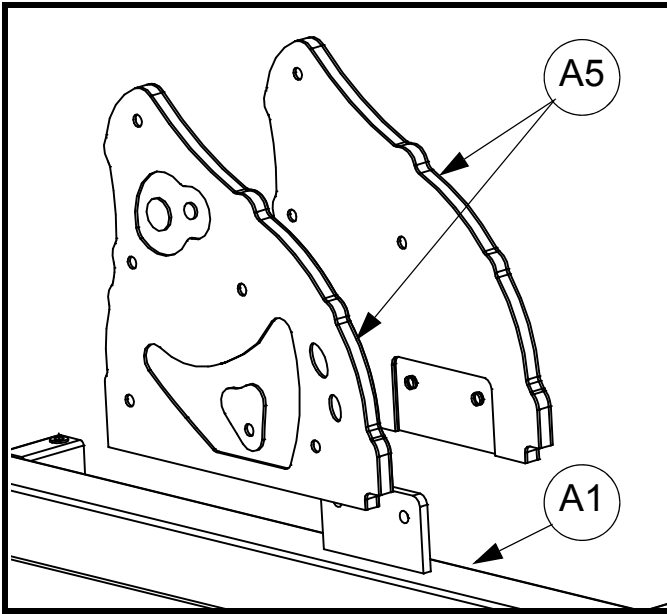
ITEM	REF		QTY.	Kg.
A1	86112004		1	40.00
A2	86050022		2	4.500
A3	86112102		1	5.000
A4	86050201		2	4.000
A5	86350101		2	5.000
A6	86050032		12	0.100
A7	10121030	 M10 X 30	17	0.028
A8	10121020	 M10 X 20	24	0.020
A9	10291000	 M10 11X21X1	61	0.002

ITEM	REF		QTY.	Kg.
A10	10301000	 M10 12X18X1	8	0.001
A11	19028651		13	0.002
A12	15033025		2	0.047

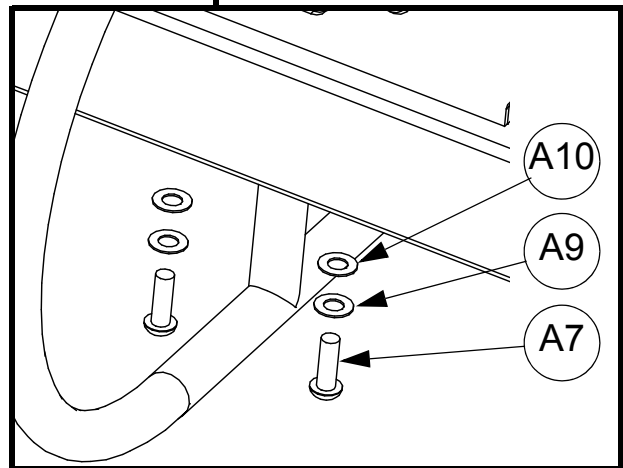
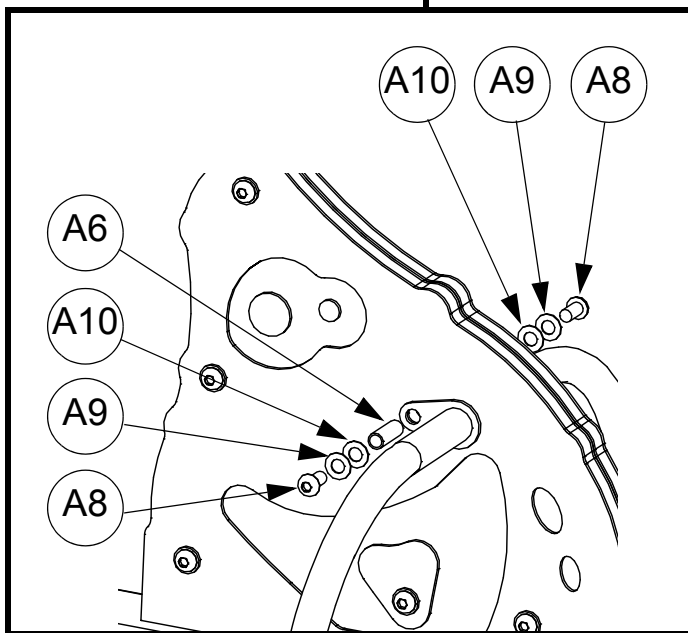
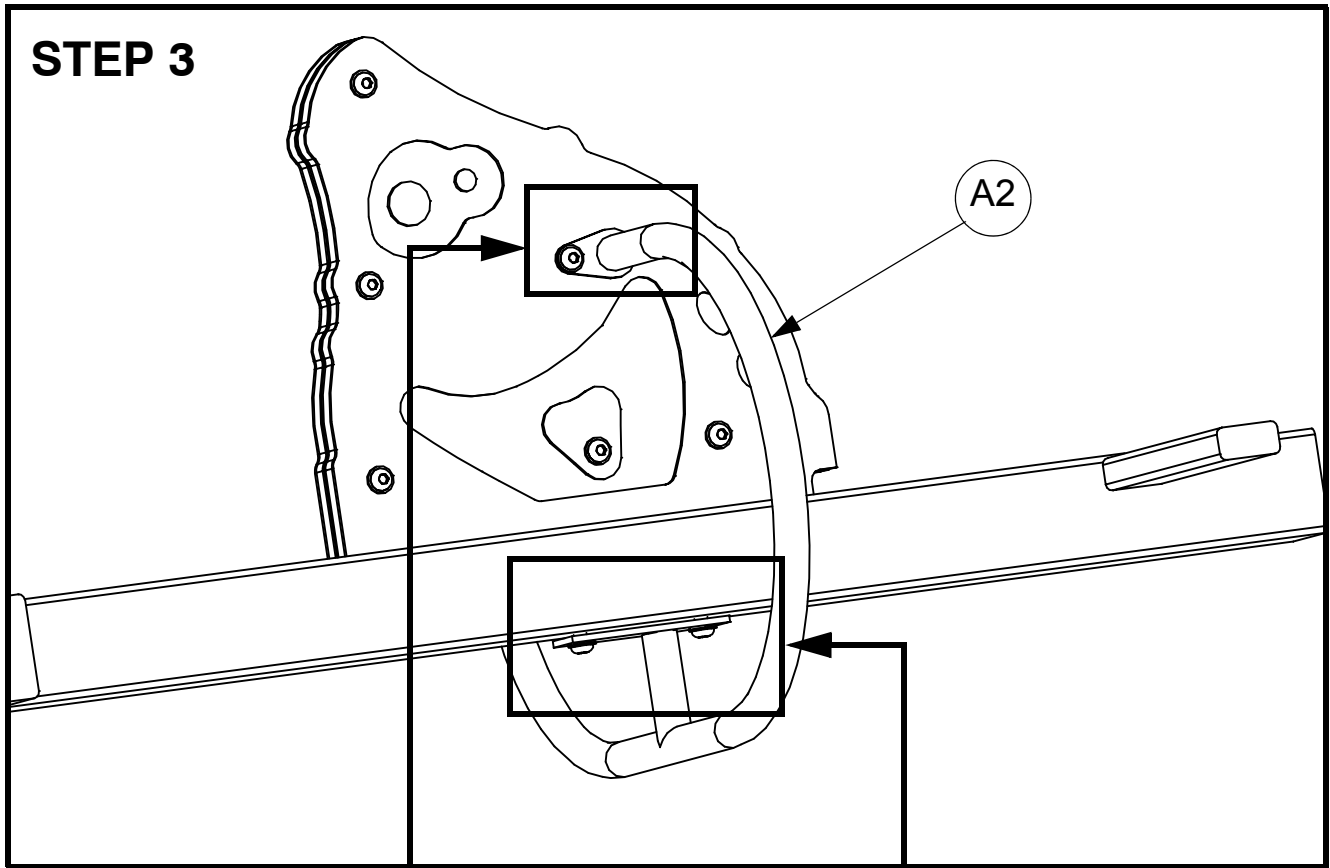
STEP 1



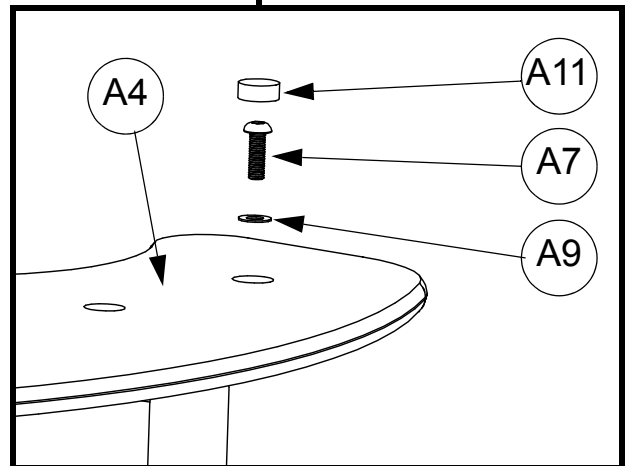
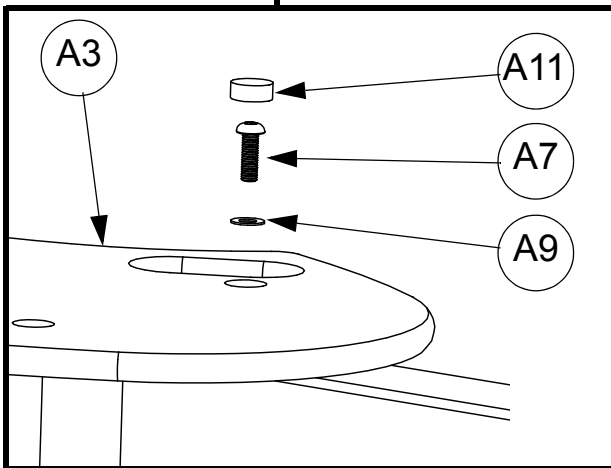
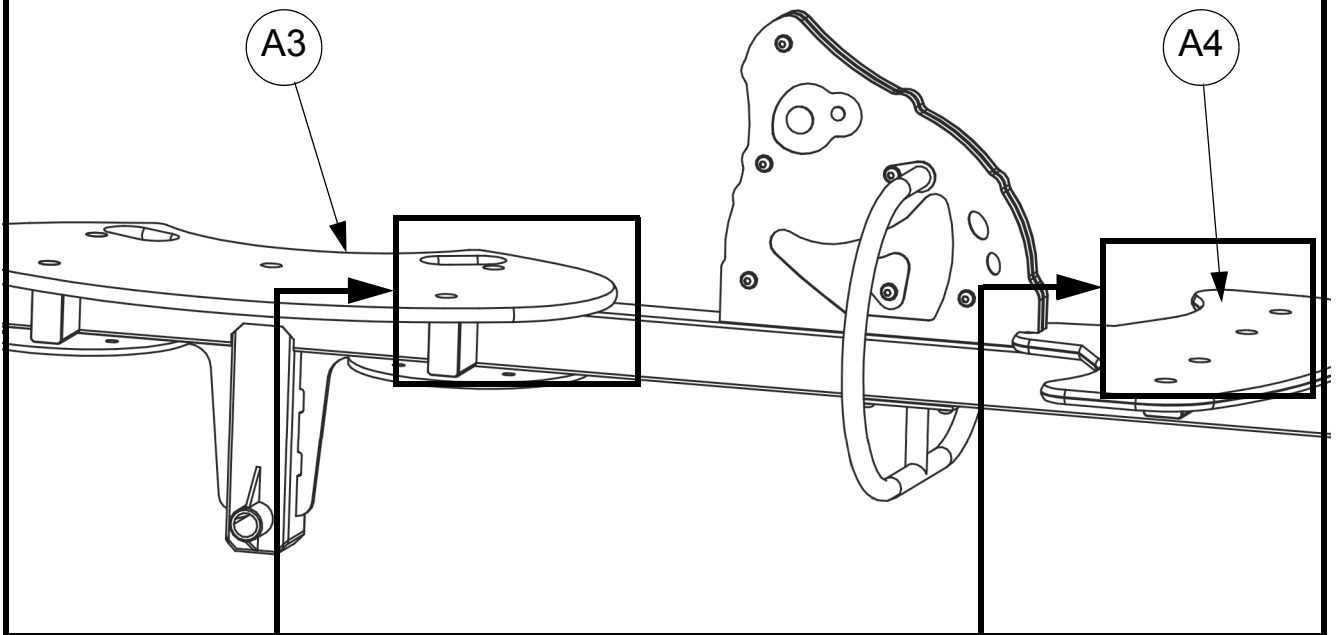
STEP 2

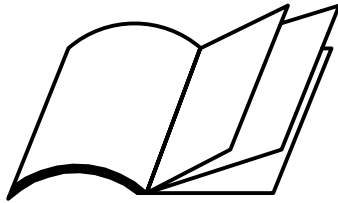


STEP 3



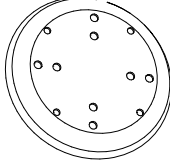
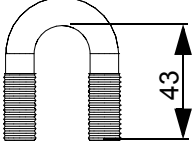

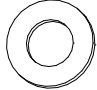
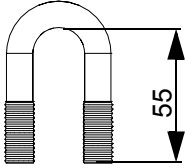
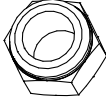
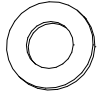
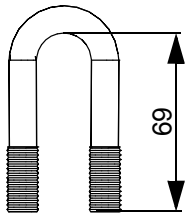
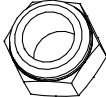
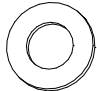
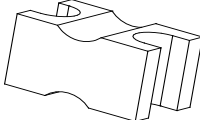
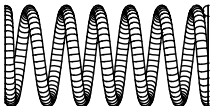
STEP 4



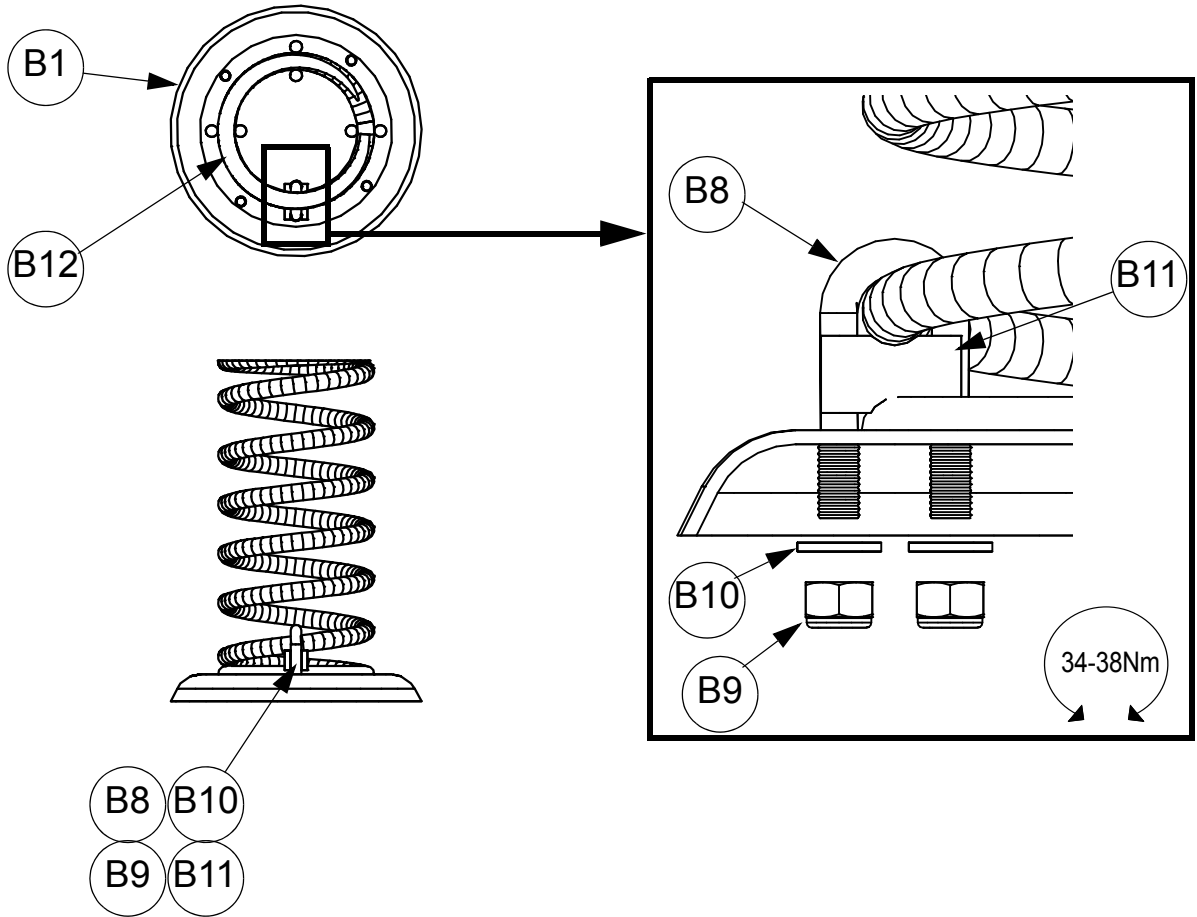


Appendix B:

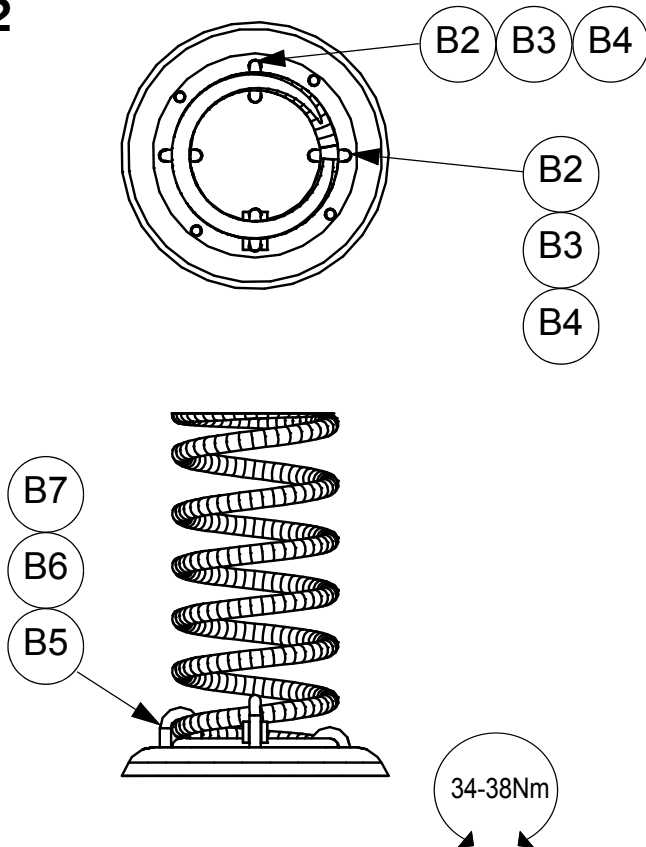
REF 56029999

ITEM	REF		QTY.	Kg.
B1	86009003		2	2.500
B2	86009006A		4	0.080
B3			8	0.010
B4			8	0.003
B5	86009006B		2	0.100
B6			4	0.010
B7			4	0.003
B8	86009006C		2	0.120
B9			4	0.010
B10			4	0.003
B11	86009007		2	0.001
B12	86009005		1	8.000

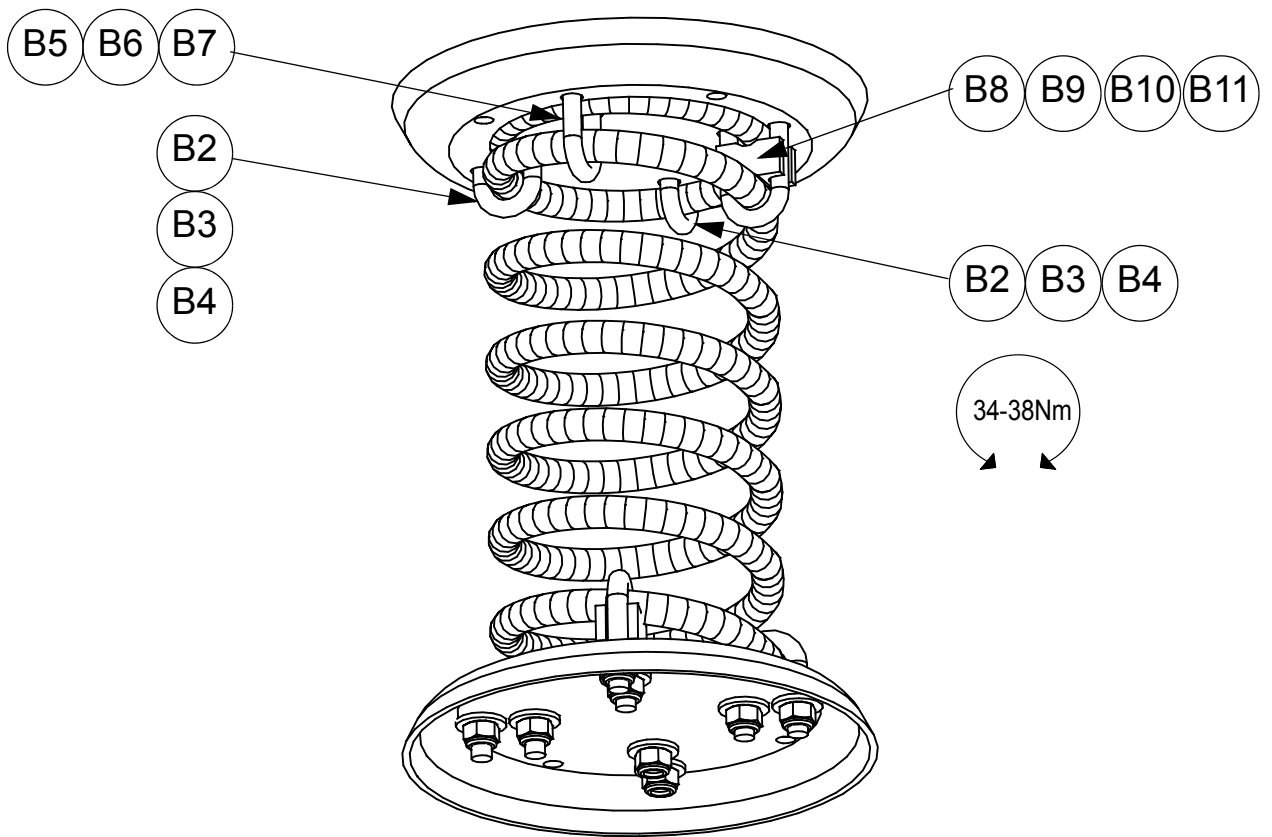
STEP 1

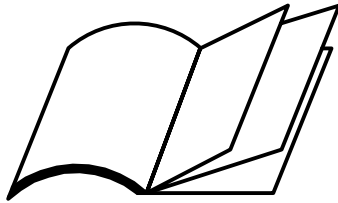


STEP 2



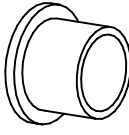
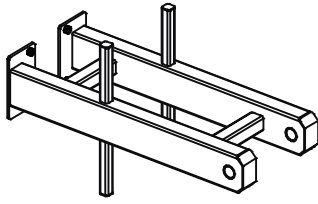
STEP 3

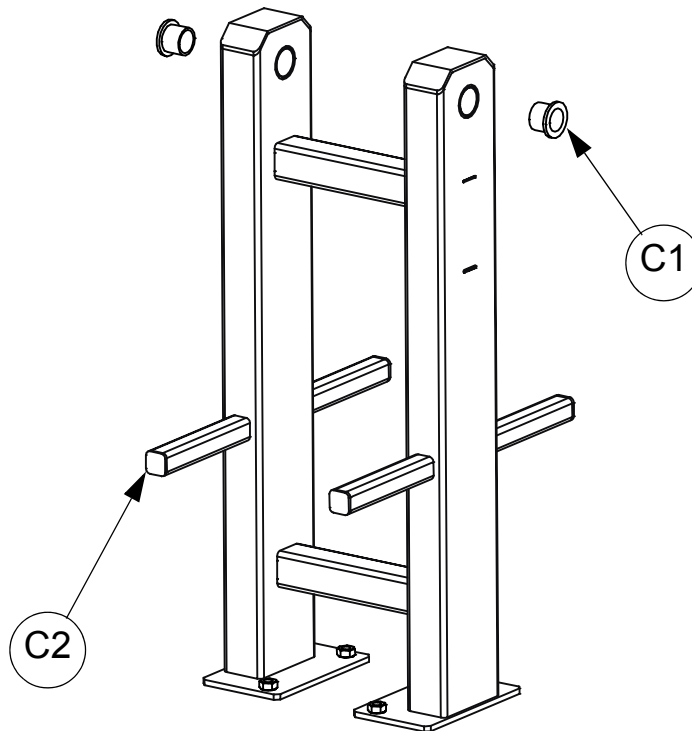




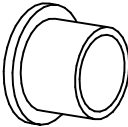
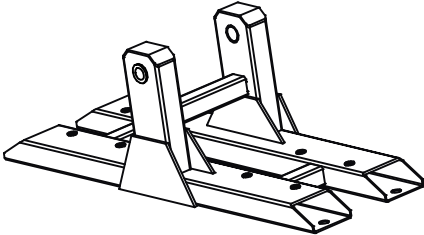
Appendix C:

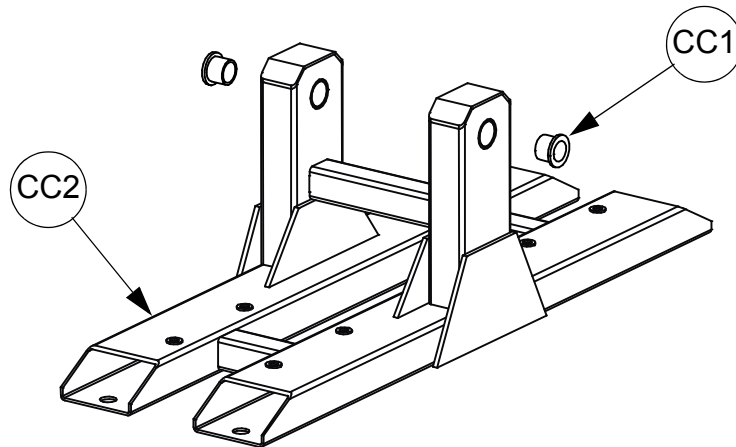
REF 86401005

ITEM	REF		QTY.	Kg.
C1	15033025		2	0.047
C2	86403005		1	14.00

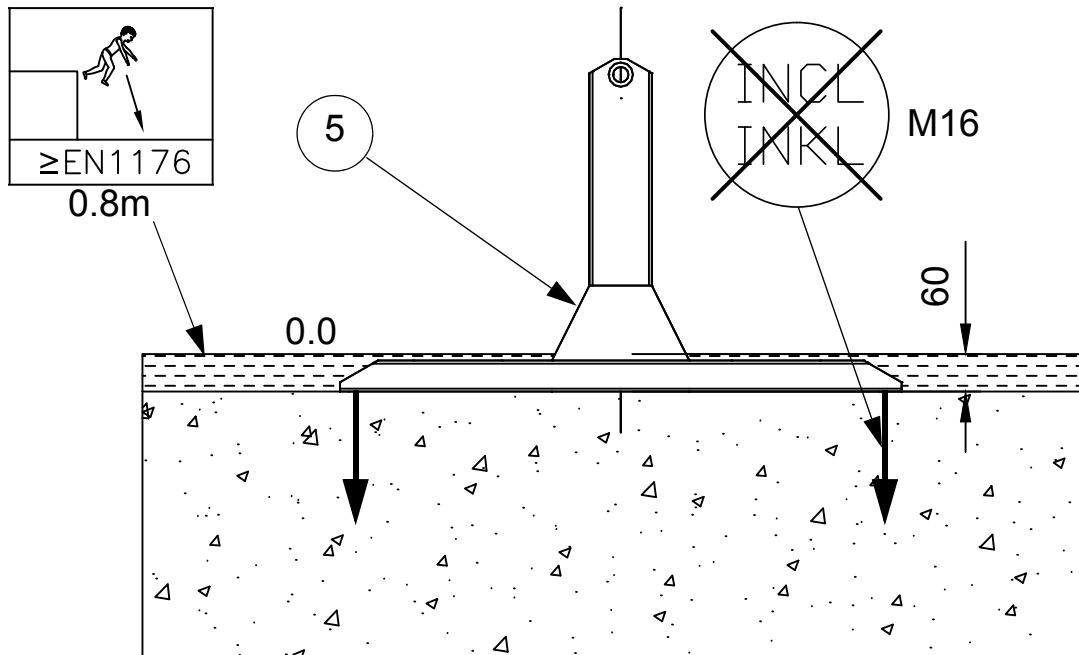


REF 86401006

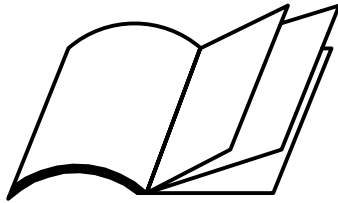
ITEM	REF		QTY.	Kg.
CC1	15033025		2	0.047
CC2	86403006		1	19.00



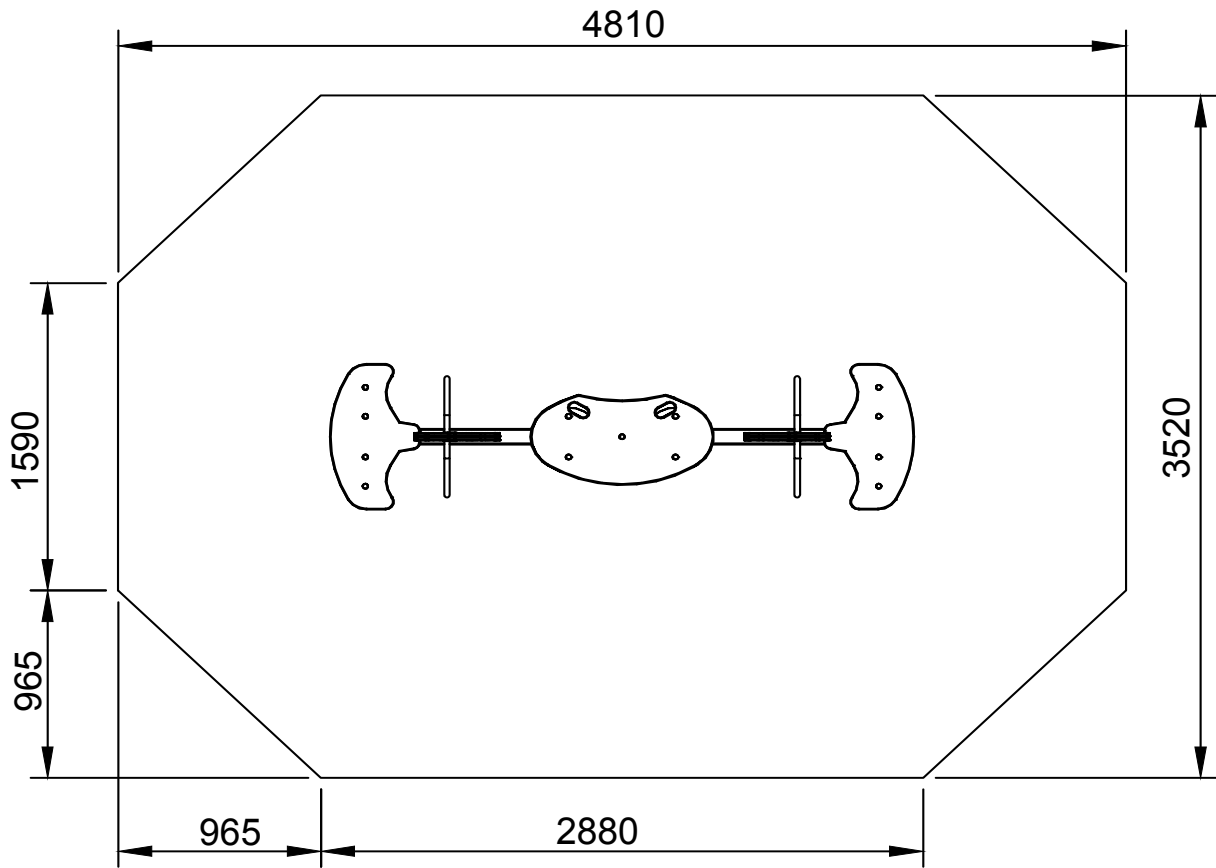
Appendix D: SPZGSD



ITEM	REF		QTY.	WEIGHT Kg.
2	86009002		0	-
3	86009001		0	-
4	86003003		0	-
5	86401006		1	19.00
11	10121030	 M10 X 30	2	0.028
12	10291000	 M10 11X21X1	16	0.002
15	10131050	 M10 X 50	8	0.045



Appendix E:



WETPOUR / LOOSEFILL

TYPE 2 & 3



